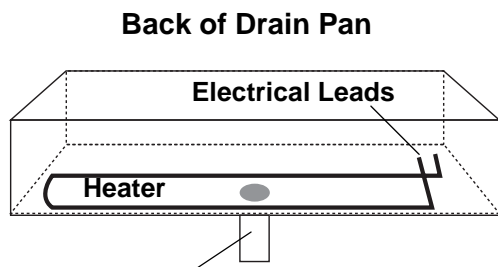
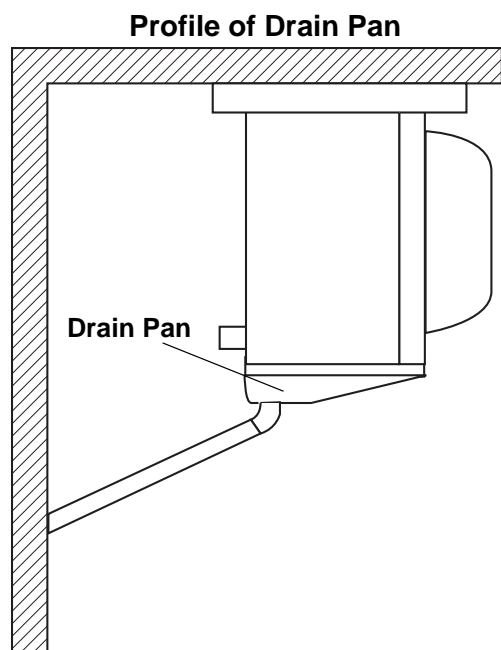




Kolpak Parts & Service Communicator

Subject: Polar Pak Top Mount Freezer Unit Drain Pan Icing



Drain Outlet

If the heater slides out of position in the drain pan it will allow the drain to freeze closed. The heater must be slid next to the drain outlet and secured to keep the drain open.

SYMPTOM

The drain pan will not drain properly. Most noticeable during the defrost cycle, when water condensation from the defrost cycle builds up, possibly cascading over the pan, down through the Polar Pak grille, and onto the floor.

CAUSE

This symptom may be caused by the drain pan heater not working or being out of position. If the heater is not working or out of place this can cause the drain pan outlet to freeze and become blocked with ice. Ice build up and/or blockage will result in the pan not draining properly or at all.

ACTION

If you are experiencing the symptom described above please follow the procedure as outlined below.

1. Remove the lower grille from inside of the walk in.
2. Defrost drain pan and remove ice using a heat gun. Keep the heat gun moving along the pan. **DO NOT** concentrate the heat on one area too long or use a torch to defrost the pan.
3. Check the drain pan heater to make sure it is working. To do this put the system into defrost and check the amp draw, it should be 1.2 amps. If the heater is not working, replace it. If it is working, continue to the next step below.
4. Move the heater so that the loop of the heater is located as close to the outlet of the drain pan as possible. Dry the pan thoroughly and secure the heater to the bottom of the pan using foil tape to keep it in place and prevent shifting. **DO NOT** use duct tape.
5. Reassemble the Polar Pak and check operation.

FURTHER ACTION

If you have any questions, please contact Manitowoc Foodservice Group at 888-732-2446.