



WELBILT[®]
Bringing innovation to the table



KOLPAK[®]
A Welbilt Brand

Door Icing

Door Components

Door hardware prevents door icing

- Door Frame Heater
- Door Closer
- Door Gasket
- Door Sweep
- Door Hinges
- Pressure Relief Vent
- Strip Curtains/Clear-Vu Doors

If any one component fails, it can contribute to excessive door icing.



Door Frame Heater

- 115 Volts
- 2.5 watts per foot (standard DOE)
 - .4 -.5 amps
 - 265 OHMS
- 5 watts per foot
 - .8 -.9 amps
 - 155 OHMS
- Heater trim should be free and clear of ice.
- Do not base heater failure on feel/touch.
- An amp draw or resistance reading must be taken to confirm operation.

If the heater specifications do not fall within these parameters, it is an indication the heater could be faulty.

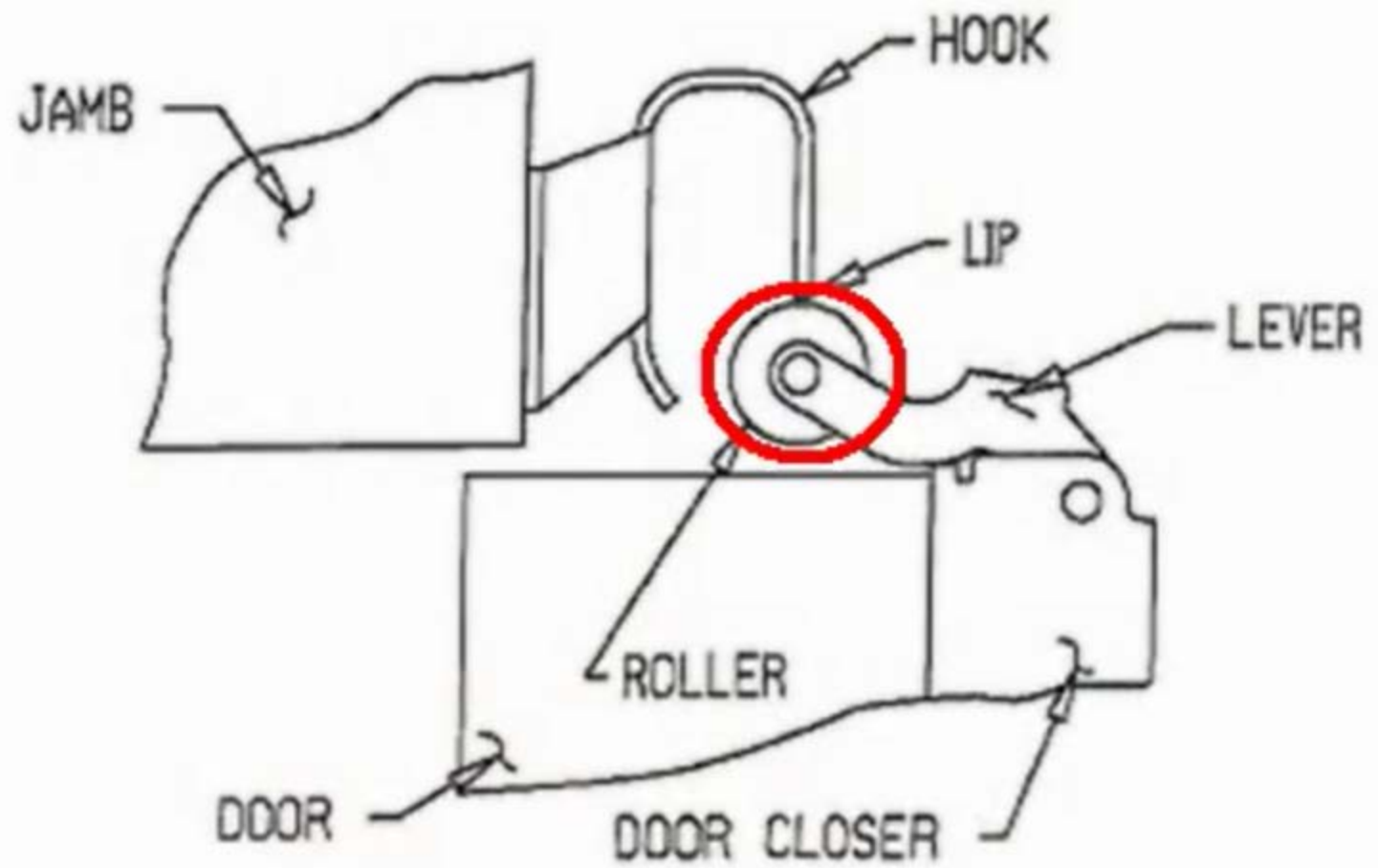


Door Closer

- Weak spring.
- Weak hydraulic mechanism.
- Out of adjustment.
- Prevents door from closing, not allowing proper seal.
 - Allows infiltration around door creating excessive ice.



CORRECT CLOSER ADJUSTMENT



Door Gasket

Gasket is Rolled or Torn

- Check operation of door, should open and close freely without assistance.
- Ensure gasket is sealing around entire door parameter.
 - Dollar Bill Resistance Test.
- Replace gasket.
 - Adjust frame/door if necessary.
 - Shim hinges to allow proper seal/clearance.



Door Sweep

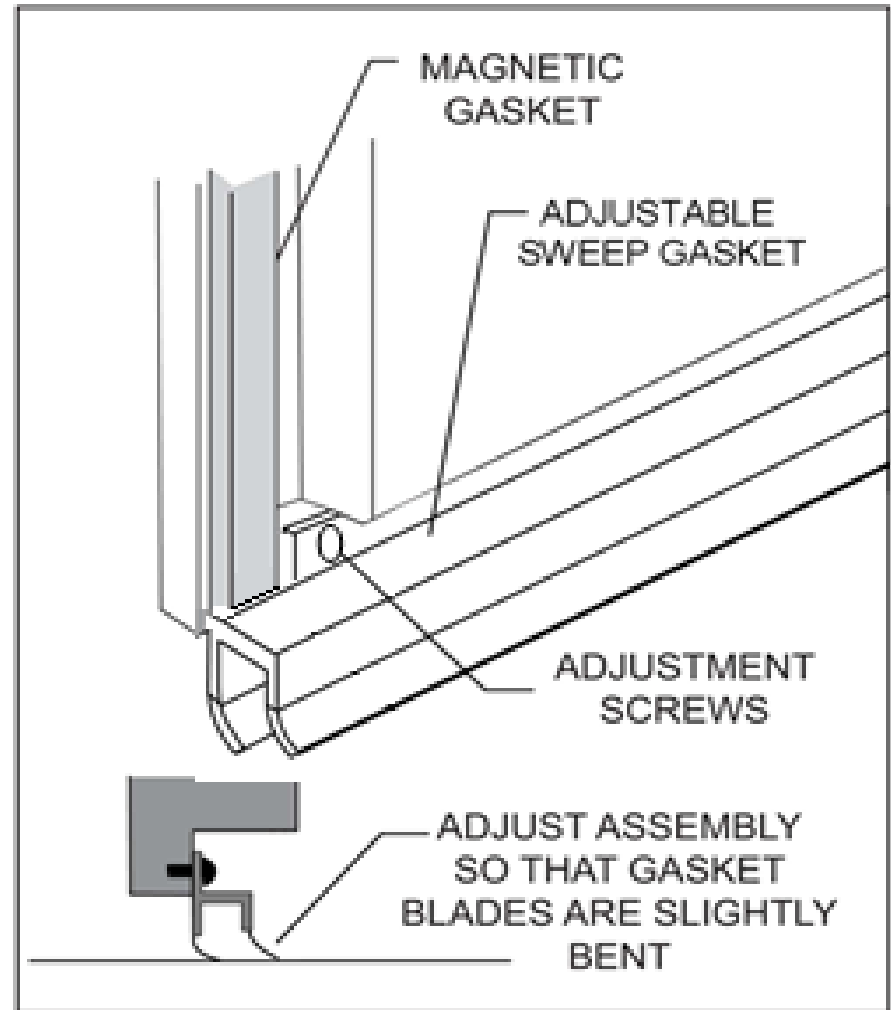
Properly adjust door sweep.

- No light/ice should be visible at the bottom of the door.
 - Inspect for sweep presence.
 - Adjust sweep down if applicable.
 - Inspect wiper blades.



Door Sweep Adjustment

- Adjust door sweep to lightly contact floor/threshold.
- Seal gap between bottom of the door gasket and the top of the door sweep if adjusted down.



Door Sweep

Air gap beneath door

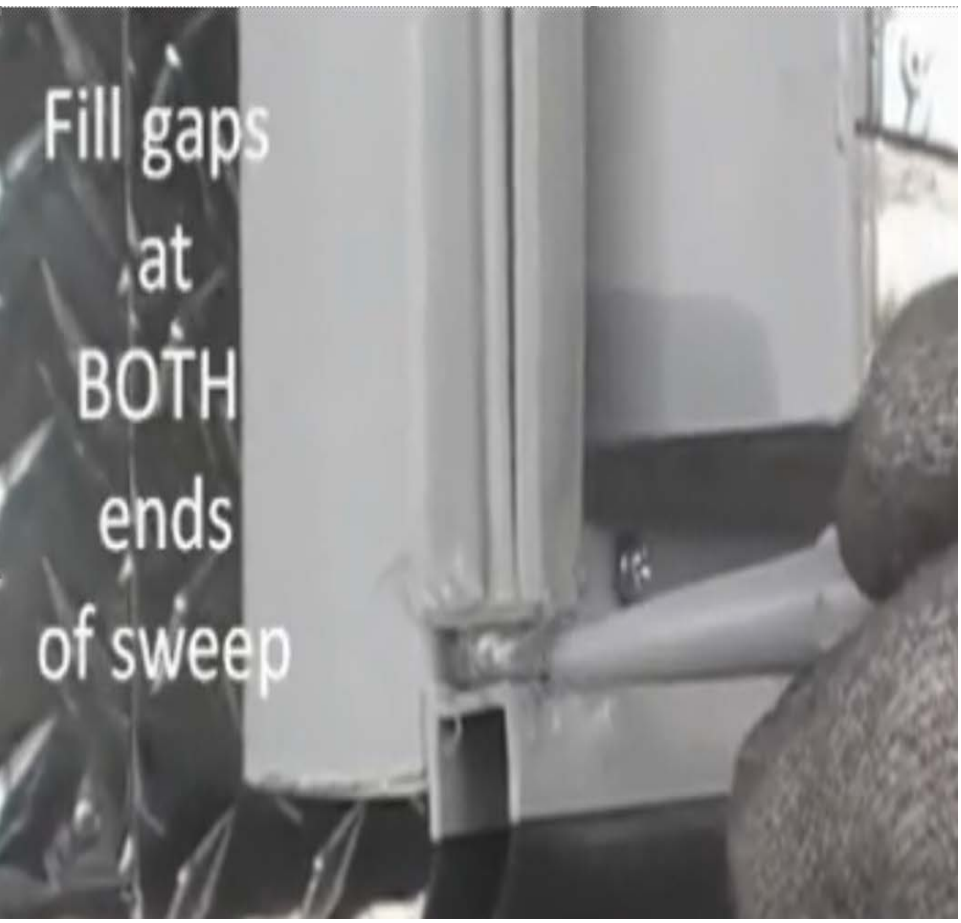
- Occurs when sweep is adjusted down.
- Allows air infiltration, causing excessive ice/frost accumulation.
- Gap needs to be filled with approved sealant.



Door Sweep

Use multipurpose low temperature waterproof sealant.

Kolpak Recommends:
Kason Rubba-Seal
Food Service Sealant



Door Sweep

Door sweep missing or torn.



Pressure Relief Vent

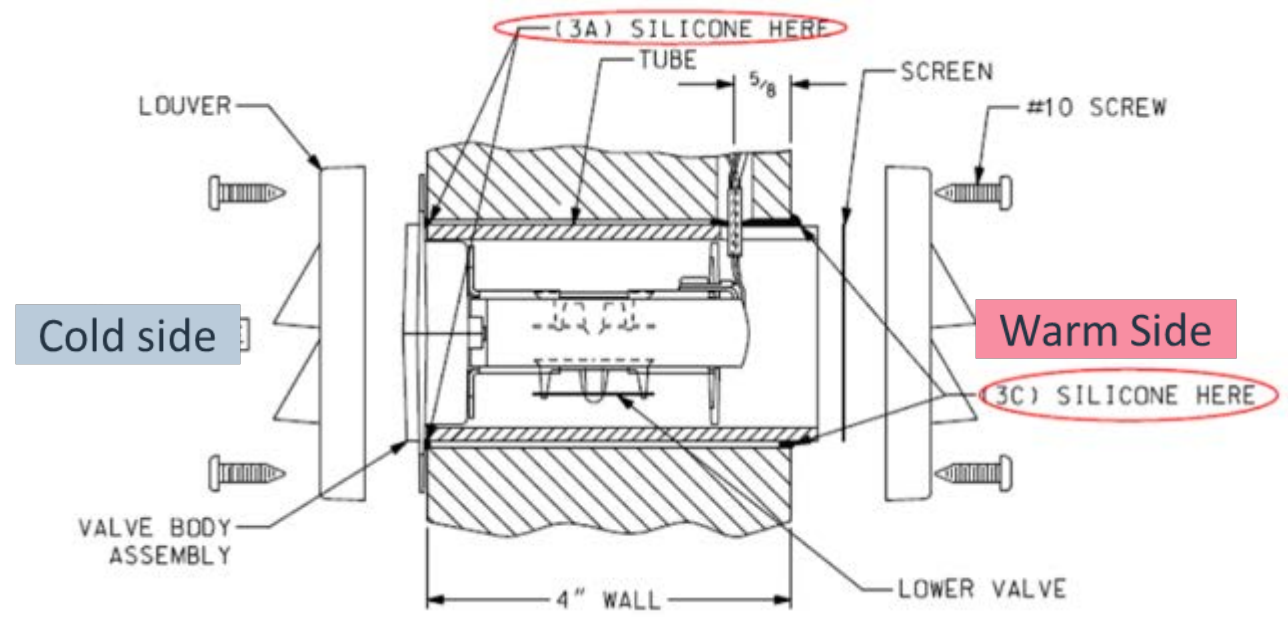
Vent iced up not allowing air to enter walk-in.

- Vent Heater is defective
- Cylinder is froze in open position
- Cylinder is froze in closed position



Pressure Relief Vent

- Pressure Relief Vent
- Installed backwards



Pressure Relief Vent

When interior pressure cannot equalize.

- Outside air will be pulled in around the door gasket
- Outside air will be pulled in around the door sweep



Strip Curtains/Clear-Vu Doors

- Reduce Moisture infiltration
- Incorrect length
 - 1/2" -1" off floor
- Require maintenance as
- Ice accumulation can prevent man door from closing, contributing to additional icing.



Install/End User

- Install
 - Door frame out of square
 - Floor not level
 - Hinges need adjusting
- End User
 - Door left open or propped open
 - Too much product inside freezer



Door Frame Not Squared

- Floor not level.
- Door section not installed properly.



Un-level Floor

- Door may not close properly if exterior surface is higher than walk-in floor.
- Sweep damage



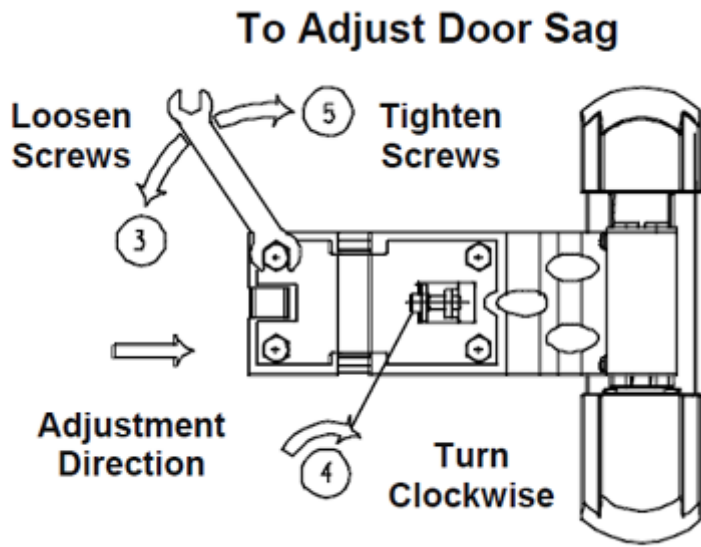
Hinge Adjustment

Doors may need to be adjusted at install to accommodate site conditions.

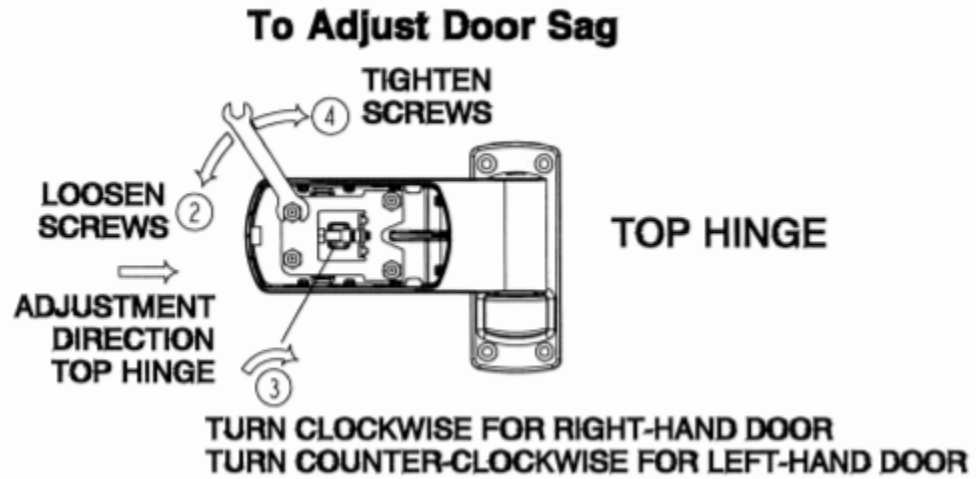
Example: Door frame out of square, Floor un-level, etc.,

Some hinges have adjustment for these conditions.

- Kason 1345
- Kason 1346



1345



1346

End User

- Door propped open



End User

- Too much product inside walk-in keeping the door from closing properly



Kolpak Website

